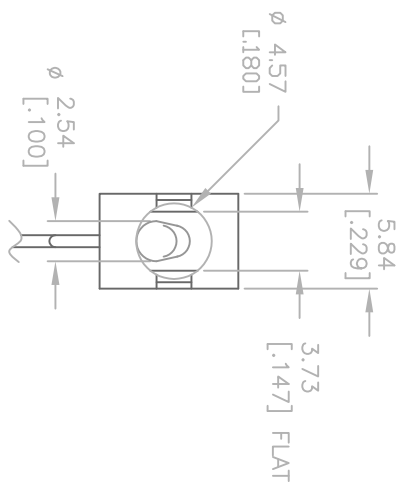


CIRCUIT: SPDT

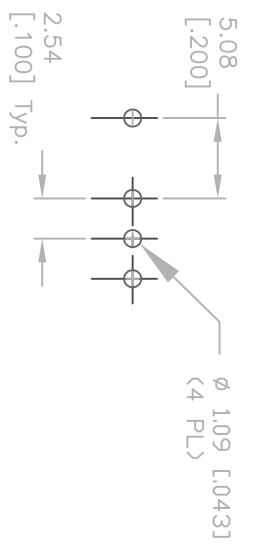
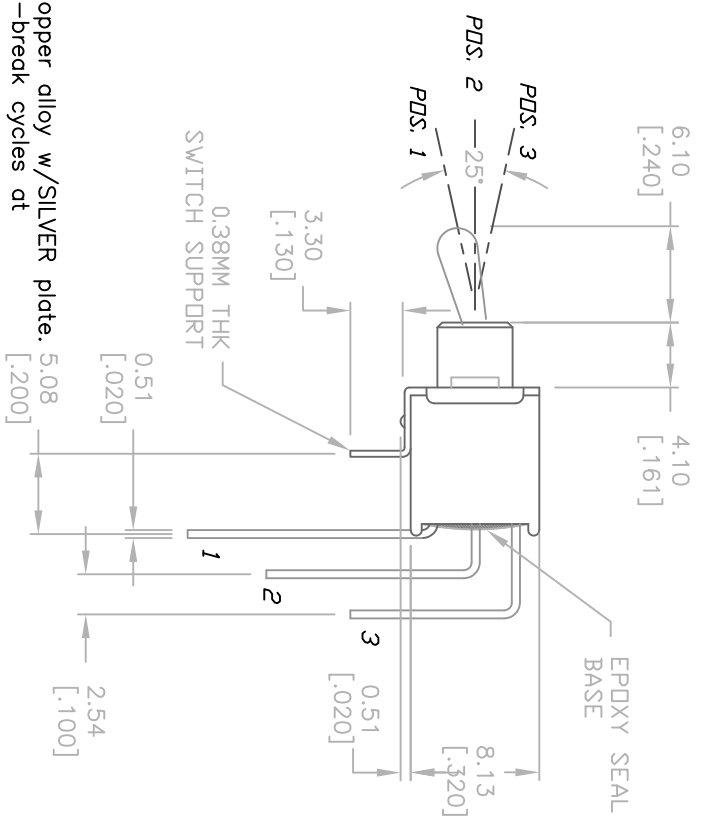
CONTACT CONFIGURATION

| SWITCH FUNCTION |        |        |  |
|-----------------|--------|--------|--|
| POS. 1          | POS. 2 | POS. 3 |  |
| DN              | NONE   | <GN>   |  |
| 2-3             | OPEN   | 2-1    |  |

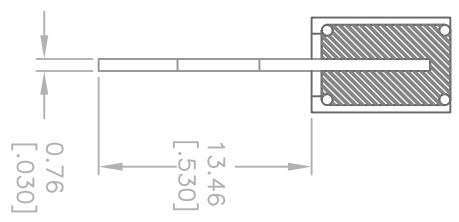
< > = Momentary



- NOTES:
1. ALL DIMENSIONS IN MM [INCH]
  2. GENERAL TOLERANCE: X.X=±0.4 X.XX=±0.25
  3. TERM. NOS. FOR REF. ONLY
  4. RATING: 3@120VAC or 28V DC; 1@250VAC.
  5. FIXED TERM. & MOVING CONTACT: Copper alloy w/SILVER plate.
  6. ELECTRICAL LIFE: 50,000 make-and-break cycles at full load.
  7. INSULATION RESISTANCE: 1000M ohm min.
  8. DIELECTRIC STRENGTH: 1000V RMS min. @sea level.
  9. OPERATING TEMP.: -30°C to 85°C



RECOMMENDED P.C.B. LAYOUT



|      |         |                              |          |      |
|------|---------|------------------------------|----------|------|
| C    | 21636   | EDITED TITLE TO CORRECT NAME | 10/15/14 | AS   |
| B    | 12164   | REVISED AND REDRAWN          | 5/20/02  | CJB  |
| REV. | ECN No. | DESCRIPTION                  | DATE     | CHKD |

|                         |  |       |  |         |     |         |     |
|-------------------------|--|-------|--|---------|-----|---------|-----|
| TITLE                   |  | SCALE |  | DATE    | DR  | DWG     | REV |
| 200A MSP-2 T2 A1 M7 Q E |  | 2:1   |  | 5/20/02 | CJB | T201216 | C   |



THE INFORMATION CONTAINED IN THIS DOCUMENT IS PROPRIETARY TO E-SWITCH AND IS NOT TO BE COPIED, OR TRANSFERRED